

Birlea Furniture

Instructions for assembly and installation Ottoman 4'6" / 4'

IMPORTANT: Read these instructions carefully before attempting to assemble or use your Ottoman 4'6" / 4'. Retain these instructions for future reference.














What is included in this pack?

HARDWARE LIST

NAME	NO	Q'TY
Headboard	01	01
Footboard	02	01
Side Support	03	02
Base Board	04	02
Frame Support	05	01
Bed Hinge	06	02
Gas Spring	07	02
Base Frame (L/R)	08	02
Mid Support	09	01
Center Support	10	02
Handle	11	02
Base Leg	12	01
Bendwood	13	26
Mattress Holder	14	02

M4 Allen Key (Small) & M5 Allen Key (Big) - Supplied
Spanner 10mm - Supplied

PARTS LIST

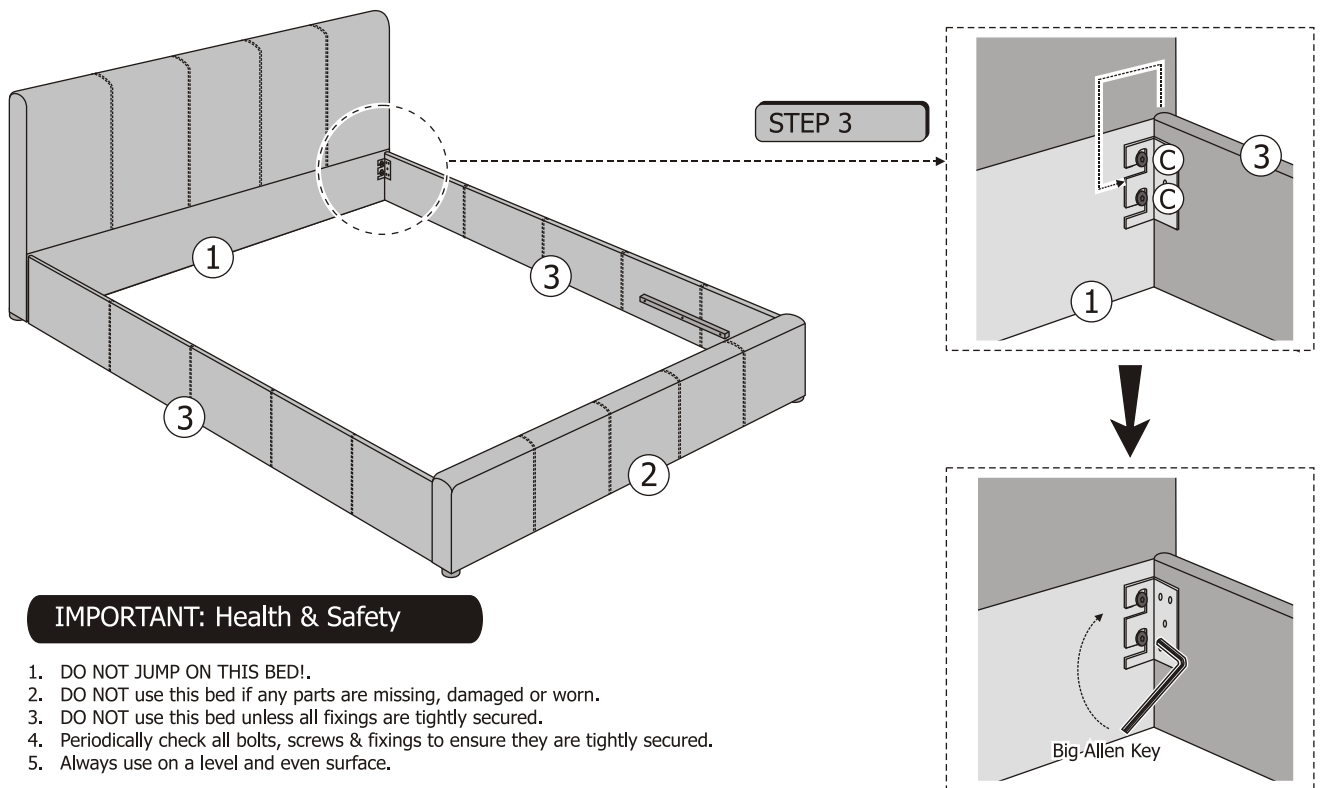
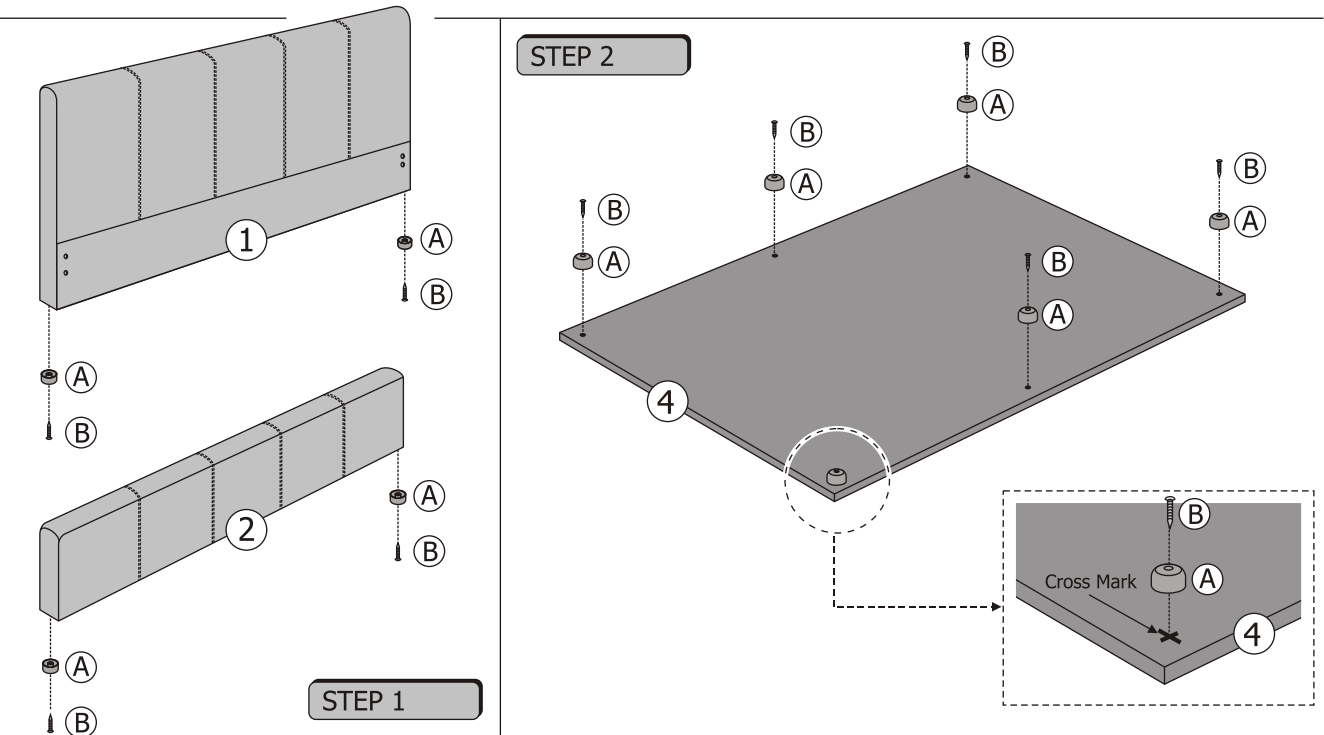
NAME	FIGURE	NO	Q'TY
Rubber Leg	 Can be found at carton 1 of 3	A	16
M4 x 32mm Wood Screw	 Can be found at carton 1 of 3	B	16
M8 x 16mm JCBC Screw	 Can be found at Head/Footboard	C	08
M6 x 16mm JCBC Screw		D	16
M4 x 16mm Wood Screw	 Can be found at carton 1 of 3	E	04
M6 x 65mm JCBC Screw		F	08
M6 Spring Washer		G	08
M6 Cap Nut		H	08
M6 x 35mm JCBC Screw		I	02
M6 Nut		J	02
Bendwood Connector with Two End Open	 Can be found at carton 1 of 3	K	13
Bendwood Connector with One End Open	 Can be found at carton 1 of 3	L	26
E Clip (can be found at Bed Hinge)		M	04

How do I assemble the Ottoman 4'6" / 4'?

Step 1. Place the Rubber Leg (A) under the Headboard (1) and Footboard (2) and secure with M4 x 32mm Wood Screw (B).

Step 2. Fix the Rubber Leg (A) on the cross mark at the four corner of Base Board (4) by using M4 x 32mm Wood Screw (B).

Step 3. Firstly, loosen the screw M8 x 16mm JCBC Screw (C) at the Head/Footboard. Then, hook the Side Support (3) bracket onto the screw M8 x 16mm JCBC Screw (C). Later, secure the M8 x 16mm JCBC Screw (C) on the Headboard (1) and Footboard (2).



IMPORTANT: Health & Safety

1. DO NOT JUMP ON THIS BED!.
2. DO NOT use this bed if any parts are missing, damaged or worn.
3. DO NOT use this bed unless all fixings are tightly secured.
4. Periodically check all bolts, screws & fixings to ensure they are tightly secured.
5. Always use on a level and even surface.

How do I care for this Ottoman 4'6" / 4'?

1. This product require at least two people to assemble.
2. Do not use any tools other than those indicated - any spanners required are included with the fixing kit. Use of a power tool to assemble this product will invalidate any claim and could make this product unsafe.
3. Do not discard any packaging until you have checked that you have all the parts and the fixing kit. Keep all fittings out of reach from children.
4. Assemble this product in the room you intend to keep it. Assemble all parts loosely before tightening any bolts.

How do I assemble the Ottoman 4'6" / 4'?

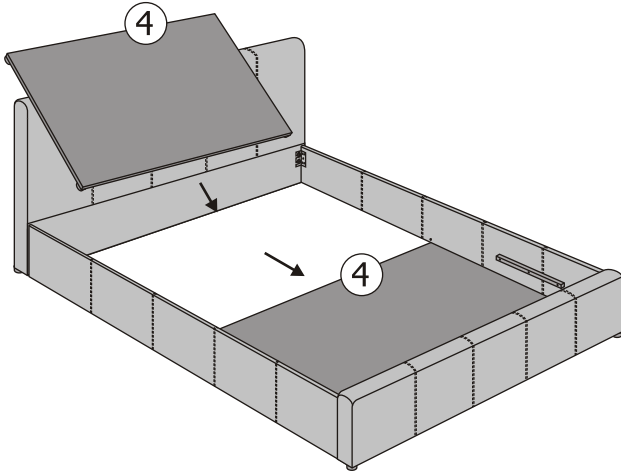
Step 4. Place the Base Board (4) from the direction that shown below and push the Base Board (4) to the footend. Then place the other piece of Base Board (4) from the Headboard direction.

Step 5. Fix the Frame Support (5) in the middle of the Base Board (4) with M6 x 16mm JCBC Screw (D)

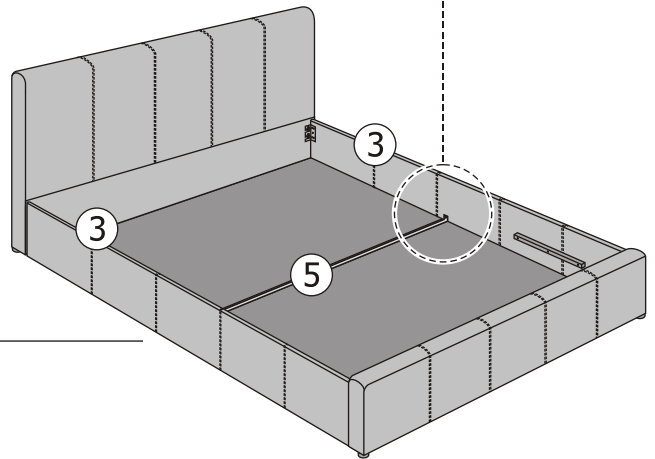
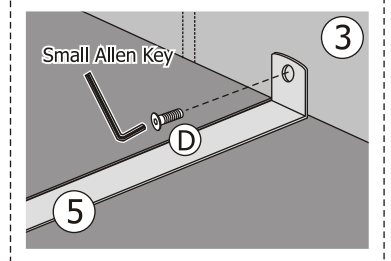
Step 6. Use the screwdriver to remove the E Clip (M) from the Bed Hinge (6). Then only fix the Bed Hinge (6) on the Side Support (3) with M6 x 16mm JCBC Screw (D) and M4 x 16mm Wood Screw (E) accordingly.

Step 7. Fix the Gas Spring (7) to the Bed Hinge (6), use your thumb finger to push in the E Clip (M) firmly into place.

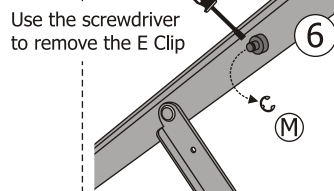
STEP 4



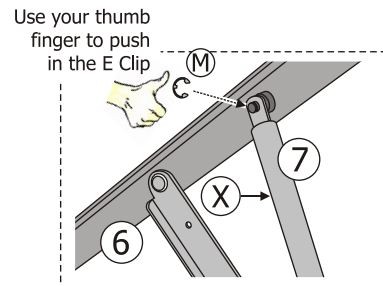
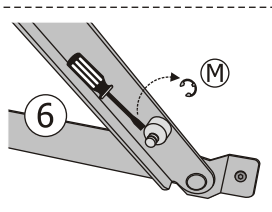
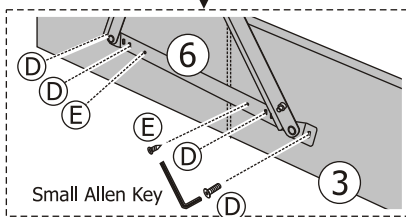
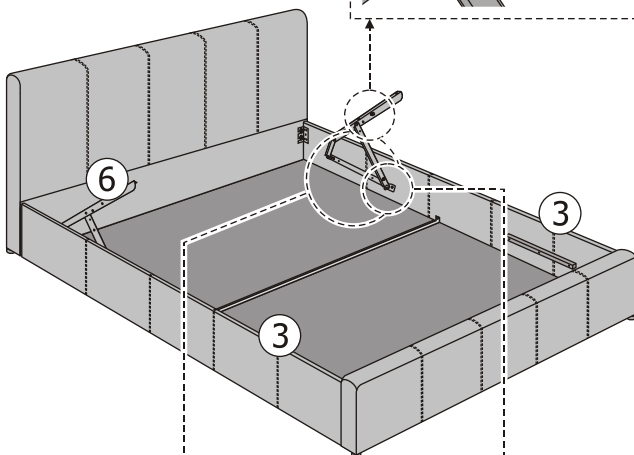
STEP 5



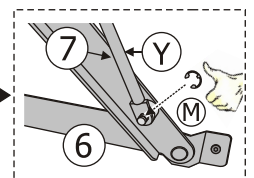
STEP 6



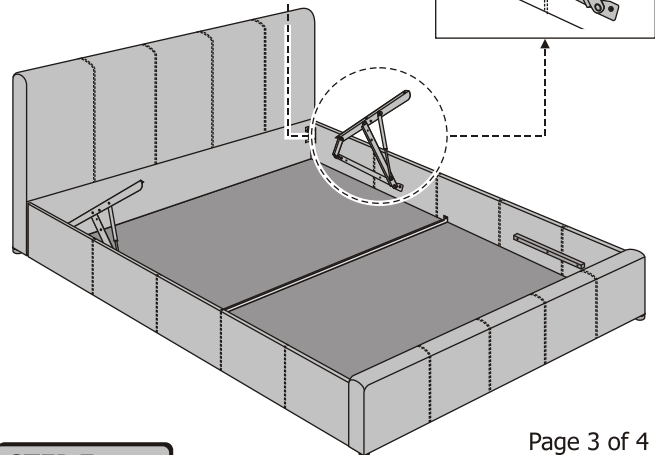
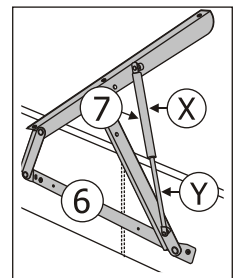
Use the screwdriver to remove the E Clip



Use your thumb finger to push in the E Clip



Remark: To fix the Gas Spring (7) on Bed Hinge (6), make sure the Thick Rod (X) on top while the Thin Rod (Y) on bottom as picture shown



STEP 7

How do I assemble the Ottoman 4'6" / 4'?

- Step 8. Slot in the Handle (11) into the right Base Frame (8). Then, join the both Base Frame (L/R) (8) with Center Support (10). Place the Mid Support (9) on top of the Center Support (10) and tightly secure with M6 x 65mm JCBC Screw (F), M6 Spring Washer (G) and M6 Cap Nut (H) with spanner provided.
- Step 9. Take the Base Leg (12) and fit to the Mid Support (9) according to the holes at the side using M6 x 35mm JCBC Screw (I) and M6 Nut (J).
- Step 10. Place the Base Frame (8) on top of the Bed Hinge (6) and secure in place using M6 x 16mm JCBC Screw (D).
- Step 11. Join 2pcs Bendwood (13) with the Bendwood Connector with 2 ends open (K). Then slot in the other end of the Bendwood (13) with Bendwood Connector 1 end open (L) and repeat for the rest.
- Step 12. Press the end of the Bendwood which has been fixed with Bendwood Connector in the holes of the Base Frame (8) accordingly.
- Step 13. Lastly, slot in the Mattress Holder (14) to the holes at the top of the Base Frame (8).

